

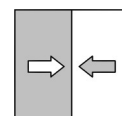


Data sheet

DA03 GKT/HLP

Differential pressure measuring device
Pressure levels PN40/PN100/PN160

Standard version



1 Product and functional description

1.1 Performance features

Typical applications

- Chemical, petrochemical industry
- Process technology
- Marine and offshore technology
- Power plant technology
- Mechanical and plant engineering

Important features

- Highly corrosion resistant
- CrNi-steel model
- Use with aggressive media
- Highly durable
- Variable connection technology
- With fluid filling as an option
- Optional additional equipment such as contact element or rotation angle encoder

1.2 Equipment versions

The following illustrations depict typical combinations of the measuring cell, measured value display and contact elements. However, these can be freely combined according to the order code. Wherever this is not possible, this is clearly stated.

For instance, a small measuring cell with an NG160 display and a contact element is also available.

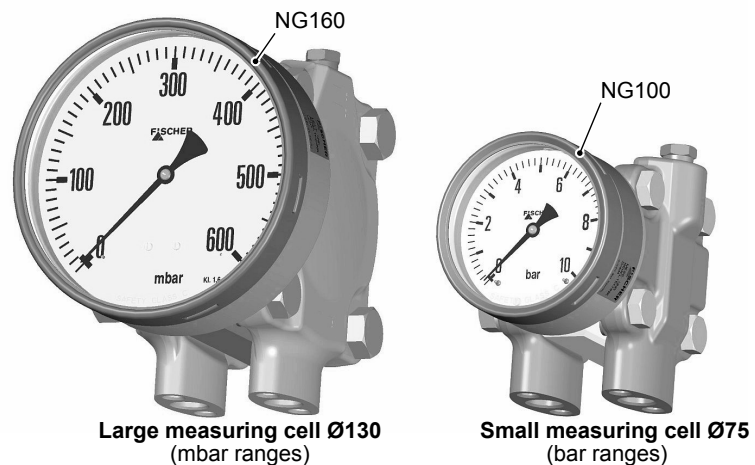


Fig. 1: Device overview

1.2.1 Process connection

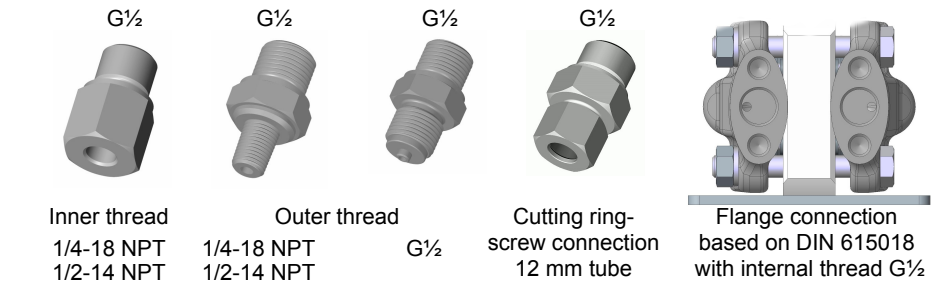
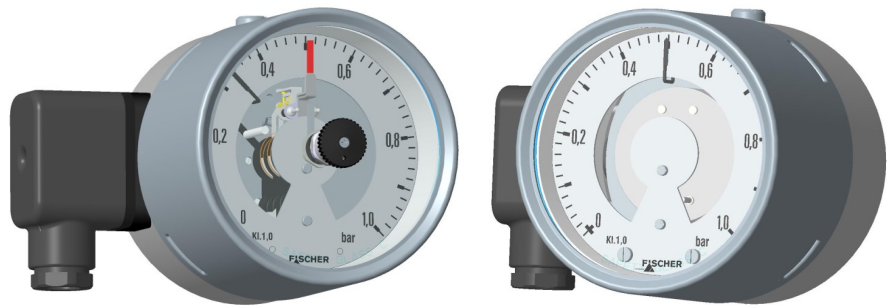


Fig. 2: Options for the process connection

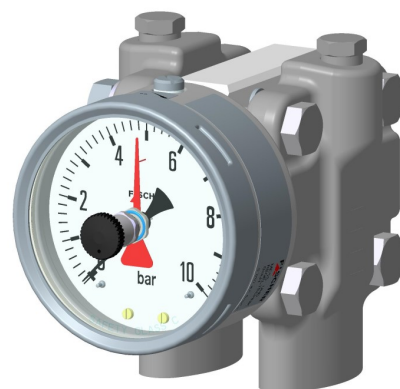
1.2.2 Contact elements



Limit switch in accordance with data sheet KE##	Rotation angle encoder in accordance with data sheet KE09
for standard devices	
<ul style="list-style-type: none"> • Low-action contacts • Snap-actiocontacts • Inductive contacts 	<ul style="list-style-type: none"> • KINAX 3W2 708-226D0 • KINAX 3W2 708-226E0
for ATEX devices	
<ul style="list-style-type: none"> • Snap-action contacts • Inductive contacts 	<ul style="list-style-type: none"> • KINAX 3W2 708-226D0 • KINAX 3W2 708-226E0

Fig. 3: Contact elements

1.2.3 Special functions

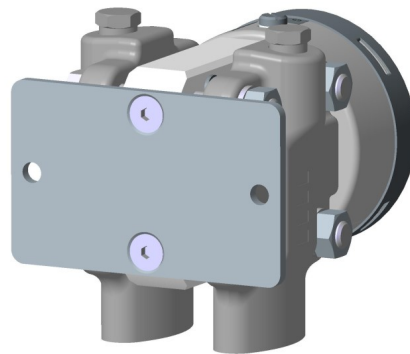


- Marker needle
- Trailing needle

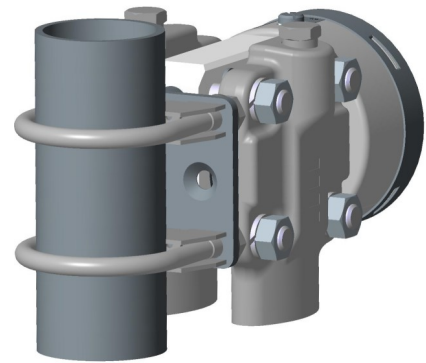
Fluid fillings
<ul style="list-style-type: none"> • Unit without contacts <i>Paraffin oil, Glycerine, silicon oil</i>
<ul style="list-style-type: none"> • Unit with low-action contacts <i>Paraffin oil, Silicon oil</i>
<ul style="list-style-type: none"> • Units with snap-action contacts <i>Silicon oil</i>
<ul style="list-style-type: none"> • Unit with inductive contacts <i>Paraffin oil, silicon oil</i>

Fig. 4: Special functions

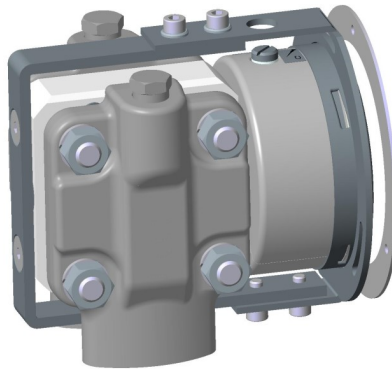
1.2.4 Assembly



Wall mounting



Pipe mounting



Panel mounting set type 1
with panel mounting set



Panel mounting set type 2
with front ring

Fig. 5: Assembly types

The panel installation fittings can only be used in devices with a small measuring cell ($\varnothing 75$) and a display in the NG100 bayonet ring casing.



⚠ WARNING

Panel mounting set

Due to the heavy weight, the operator needs to install a support construction for installation of the front panel.

1.2.5 Equipment features (overview)

The following shows the configuration possibilities of the DA03 depending on the measuring cell used and the pressure level.

Key

- available
- on request

**Small measuring cell
Ø75**

Measurement range	Measurement display		Low-action contacts			Snap-action contacts			Inductive contacts		Rot. angle transducer	Trailing needle	Marker needle	Remote seal	Pressure level
	Ø100	Ø160	1	2	3	1	2	3	1	2					
0 ... 250 mbar	●	●										●	●		PN160
0 ... 400 mbar	●	●				●	●		●	●	●	●	●		
-100 ... 150 mbar	●	●										●	●		
-150 ... 250 mbar	●	●	●	●	●	●	●		●	●	●	●	●		
0 ... 0.6 bar	●	●	●	●	●	●	●		●	●	●	●	●	●	PN40/PN100/PN160
0 ... 1 bar	●	●	●	●	●	●	●		●	●	●	●	●	●	
0 ... 1.6 bar	●	●	●	●	●	●	●		●	●	●	●	●	●	
0 ... 2.5 bar	●	●	●	●	●	●	●		●	●	●	●	●	●	
0 ... 4.0 bar	●	●	●	●	●	●	●		●	●	●	●	●	●	
0 ... 6bar	●	●	●	●	●	●	●		●	●	●	●	●	●	
0 ... 10 bar	●	●	●	●	●	●	●		●	●	●	●	●	●	
0 ... 16 bar	●	●	●	●	●	●	●		●	●	●	●	●	●	
0 ... 25 bar	●	●	●	●	●	●	●		●	●	●	●	●	●	
-1 ... 0.6 bar	●	●	●	●	●	●	●		●	●	●	●	●	●	
-1 ... 1.5 bar	●	●	●	●	●	●	●		●	●	●	●	●	●	
-1 ... 3 bar	●	●	●	●	●	●	●		●	●	●	●	●	●	
-1 ... 5 bar	●	●	●	●	●	●	●		●	●	●	●	●	●	

**Large measuring cell
Ø130**

Measurement range	Measurement display		Low-action contacts			Snap-action contacts			Inductive contacts		Rot. angle transducer	Trailing needle	Marker needle	Remote seal	Pressure level
	Ø100	Ø160	1	2	3	1	2	3	1	2					
0 ... 40 mbar	●	●	□	□		□	□		□	□	●		●		PN40 PN100
0 ... 60 mbar	●	●	●	●		●	●		●	●	●	●	●		
0 ... 100 mbar	●	●	●	●		●	●		●	●	●	●	●	●	PN40/PN100/PN160
0 ... 160 mbar	●	●	●	●	●	●	●		●	●	●	●	●	●	
0 ... 250 mbar	●	●	●	●	●	●	●		●	●	●	●	●	●	
0 ... 400 mbar	●	●	●	●	●	●	●		●	●	●	●	●	●	
-40 ... +60 mbar	●	●	●	●	●	●	●		●	●	●	●	●	●	
-60 ... +100 mbar	●	●	●	●	●	●	●		●	●	●	●	●	●	
-100 ... +150 mbar	●	●	●	●	●	●	●		●	●	●	●	●	●	
-100 ... +250 mbar	●	●	●	●	●	●	●		●	●	●	●	●	●	

1.3 Function diagram

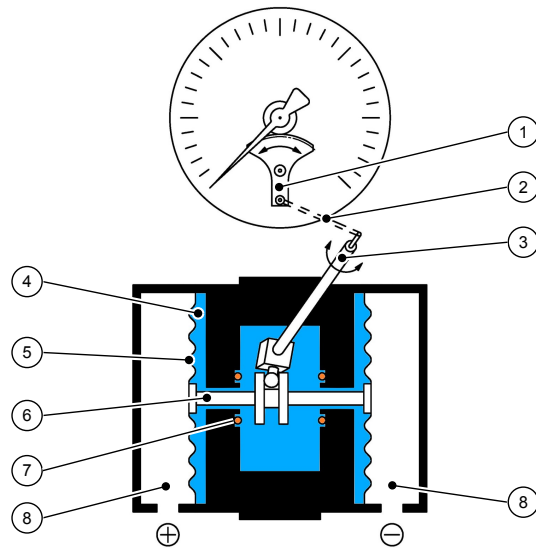


Fig. 6: Function diagram

1	Motion train	2	Transfer lever
3	Measuring shaft	4	Pressure transfer fluid
5	Measuring membranes	6	Connecting rod
7	O-ring (pressure relief valve)	8	Pressure chamber

1.4 Design and mode of operation

The pressures in the pressure chambers that are to be compared are each exerted onto a measuring membrane that can be rigidly connected using a connection rod. To compensate the static pressure, the space between the measuring membranes is filled with a pressure transfer fluid.

During pressure equalisation, the two measuring membranes are in an idle position. In case of pressure difference, the force acting on the membranes causes it to be moved towards the side of the lower pressure.

The connecting rod transfers the deflection of the measuring membranes onto the transfer lever mounted to the measuring shaft. Proportional to the current differential pressure, the measurement shaft makes a rotational movement that the indicator translates into a rotation angle between 0 and 270°.

In the case of one-sided pressure by the measuring system above and beyond the measuring range, the over-pressure guard will be activated. The over-pressure causes the overloaded membrane and its collar to be pressed against the inner O-ring. This creates two separate pressure spaces between the measuring membranes that need to be filled with fluid. In the adjacent pressure space, a corresponding over-pressure is created. The measuring membrane is supported by the contained transfer fluid. In this way the measuring membranes compensate the forces acting upon them.

2 Technical data

2.1 General information

EXECUTION	Nominal pressure	Measuring cell	Application information
DA03 G ...	PN40	Ø75	Measuring ranges: 0...0.6 bar to 0...25 bar Remote seals: ⁽¹⁾ It is possible to attach remote seals for measuring ranges ≥ 0.6 bar.
DA03 K ...	PN100	Ø75	Measuring ranges: 0...0.6 bar to 0...25 bar Remote seals: It is possible to attach remote seals for measuring ranges ≥ 0.6 mbar.
DA03 T ...	PN160	Ø75	Measuring ranges: 0...250 mbar to 0...25 bar Limitations: Drag indicator measuring ranges ≥ 250 mbar Contacts / Transmitter measuring ranges ≥ 400 mbar Remote seals: It is possible to attach remote seals for measuring ranges ≥ 0.6 mbar.
DA03 H ...	PN40	Ø130	Measuring ranges: 0...40 mbar to 0...400 bar Limitations: Drag indicator measuring ranges ≥ 60 mbar Contacts / Transmitter measuring ranges ≥ 100 mbar Remote seals: It is possible to attach remote seals for measuring ranges ≥ 160 mbar..
DA03 L ...	PN100	Ø130	Measuring ranges: 0...40 mbar to 0...400 bar Limitations: Drag indicator measuring ranges ≥ 60 mbar Contacts / Transmitter measuring ranges ≥ 100 mbar Remote seals: It is possible to attach remote seals for measuring ranges ≥ 160 mbar..
DA03 P ...	PN160	Ø130	Measuring ranges: 0...40 mbar to 0...400 bar Limitations: Drag indicator measuring ranges ≥ 60 mbar Contacts / Transmitter measuring ranges ≥ 100 mbar Remote seals: It is possible to attach remote seals for measuring ranges ≥ 0.6 mbar.

⁽¹⁾ The remote seals need to be designed for the displacement volume, the length of the cable and the application temperature

2.2 Input variables

Measuring variable

Differential pressure in gaseous and fluid aggressive media.

General information

Rated pressure of the measuring system	Max. static operating pressure
Durability	One-sided over-pressure-proof up to the rated pressure of the measuring system resistance to under-pressure on the (+) and (-) side
Measurement accuracy	±1.6 % of the measuring range
Temperature sensor	0.3 % / 10 °C
Zero-point adjustment	±25 % of the measuring range

Measuring ranges

Small measuring cell Ø75

Measurement range	Device model		
	H	K	D
0 ... 250 mbar			•
0 ... 400 mbar			•
-100 ... 150 mbar			•
-150 ... 250 mbar			•
0...0.6 bar	•	•	•
0...1 bar	•	•	•
0...1.6 bar	•	•	•
0 ... 2.5bar	•	•	•
0...4.0 bar	•	•	•
0...6 bar	•	•	•
0...10 bar	•	•	•
0...16 bar	•	•	•
0...25 bar	•	•	•
-1...0.6 bar	•	•	•
-1...1.5 bar	•	•	•
-1...3 bar	•	•	•
-1...5 bar	•	•	•

Large measuring cell Ø130

Measurement range	Device model		
	H	L	P
0 ... 40 mbar	•	•	•
0 ... 60 mbar	•	•	•
0 ... 100 mbar	•	•	•
0 ... 160 mbar	•	•	•
0 ... 250 mbar	•	•	•
0 ... 400 mbar	•	•	•
0 ... 600 mbar	•	•	•
-40 ... +60 mbar	•	•	•
-60 ... +100 mbar	•	•	•
-100 ... +150 mbar	•	•	•
-100 ... +250 mbar	•	•	•

2.3 Operating conditions

Permissible ambient temperature	-20 ... +80 °C
Admissible storage temperature	-40 ... +80 °C
Admissible media temperature	Max. 100 °C
Type of protection:	IP 65 acc. to EN 60529

2.4 Construction design

Materials

Measured value display	Material	Material no.	
		EU	AISI
Bayonet ring housing NG100, NG160	CrNi steel	1.4301	304
Process connection (all models)	CrNi steel	1.4404	316L
Intermediate plate	AlMgSiPb	HARD-COAT®	
Seals	FKM		
Motion train	CrNi steel		
Dial face and needle	Aluminium, painted, printed		
Inspection disk	Safety laminated glass		

MB = Measurement range

Materials (media-contacting)

Design of the measuring system (R)	Material	Material no.	
		EU	AISI
Pressure caps	CrNi steel	1.4404	316L
Measuring membranes	MB ≤ 400 mbar	CrNi steel	1.4571 361Ti
	MB ≥ 0.6 bar	NiCrCo alloy	DURATHERM®

Design of the measuring system (H)	Material	
Pressure caps	Hastelloy® C276	
Measuring membranes	MB ≤ 2.5 bar	Hastelloy® C276
	MB ≥ 4 bar	Standard membrane with separator film Hastelloy® C276 The model with the separator foil is not suitable for under-pressure

Design of the measuring system (G)	Material	Material no.	
		EU	AISI
Pressure caps	CrNi steel	1.4404	316L
Measuring membranes	MB ≤ 400 mbar	CrNi steel	1.4571 361Ti
	MB ≥ 0.6 bar	NiCrCo alloy	DURATHERM®

Process connection	Material	Material no.	
		EU	AISI
Connecting piece and port	CrNi steel	1.4404	316L
Cutting ring screw connections	CrNi steel	1.4571	

Assembly

Wall mounting	Flanged assembly plate
Pipe mounting	Flanged assembly plate and attachment bracket
Panel mounting set type 1	Panel installation fittings for units with a small measuring cell (Ø75) and NG100 bayonet ring casing.
Panel mounting set type 2	Front ring and support construction

2.4.1 Additional Attachments

2.4.1.1 Contact elements

Limit signal transmitters (contacts) and capacitive rotation angle transducers with an output signal proportional to the angular position can be fitted into a housing augmented by a corresponding bayonet ring connector.

A certain minimum pressure level is required to operate this kind of contact element, which is why there is a lower limit for the mbar measuring ranges. This limit depends on the model type and is stated in the section 'General [▶ 7]'.

The measuring deviation increases by $\pm 0.5\%$ per contact when the contacts are driven and switched.

For more information and the order key, please refer to the data sheet:

- for limit switch in [data sheet KE](#)
- for rotation angle converter in the [data sheet KE09](#)

2.4.1.2 Fluid charging

Under aggravated operating conditions, such as vibrations and extreme pressure fluctuations, or in order to avoid condensation forming if used outdoors, the casing can be filled with the following fluids depending in the type of contacts installed:

without contacts	Glycerine, silicon oil
Low-action contacts	Silicon oil
Magnetic spring contacts	Silicon oil
Inductive contacts	Paraffin oil
Rotation angle transducer	no filling possible

2.4.1.3 Marker needle

A settable red marker can be attached to the scale to clearly show a certain pressure (limit value).

2.4.1.4 Trailing needle

The trailing needle is 'dragged' with the measured value indicator. As there is no fixed connection between the two needles, one-off maximum values are stored. The trailing needle can be reset using an adjusting dial in the window. Trailing needles cannot be used in conjunction with contacts. A certain minimum pressure level is required to move the drag indicator, which is why there is a lower limit for the mbar measuring ranges. This limit depends on the model type and is stated in the section 'General [▶ 7]'.

2.4.1.5 Shut-off fitting

3-spindle valve block PN 420, DN 5, can be directly flanged

- Type DZ3600SV2700
- Material 1.4571
- Functions: Shut-off, pressure compensation

2.4.2 Electrical connection

In the case of devices with additional electronic equipment, the connection is realised using a cable socket attached to the side and/or with a Han 7D connector on the power plant models. The pin assignment depends on the ordered mode and is stated in the data sheet KE or KE09.

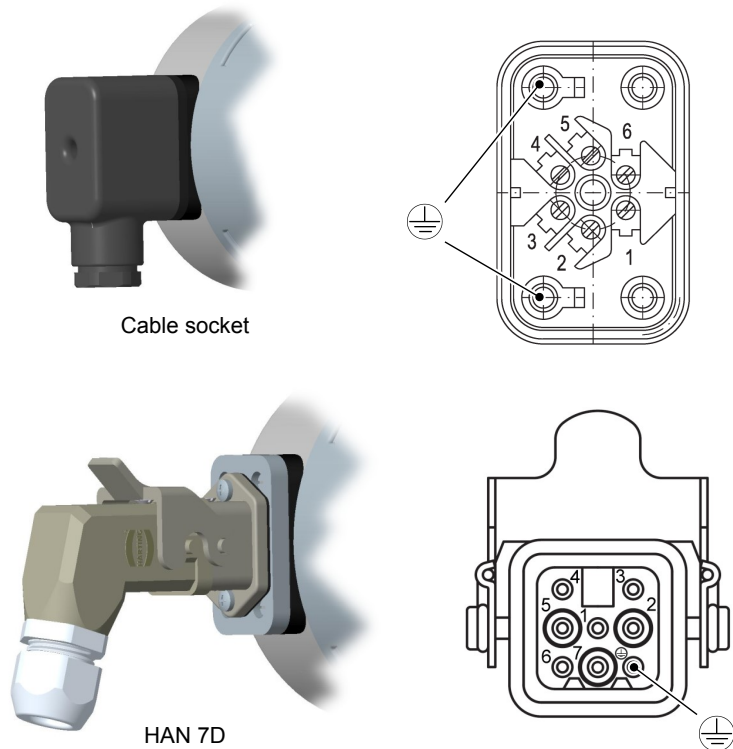


Fig. 7: Cable socket

Cable socket

Number of screw terminals	6 + 2PE
Rated current	See data sheet KE
Rated voltage	250V
Cable diameter	up to 1.5 mm ² with wire protection
Cable screw connection	M20 x 1.5, terminal range 7 ... 13 mm

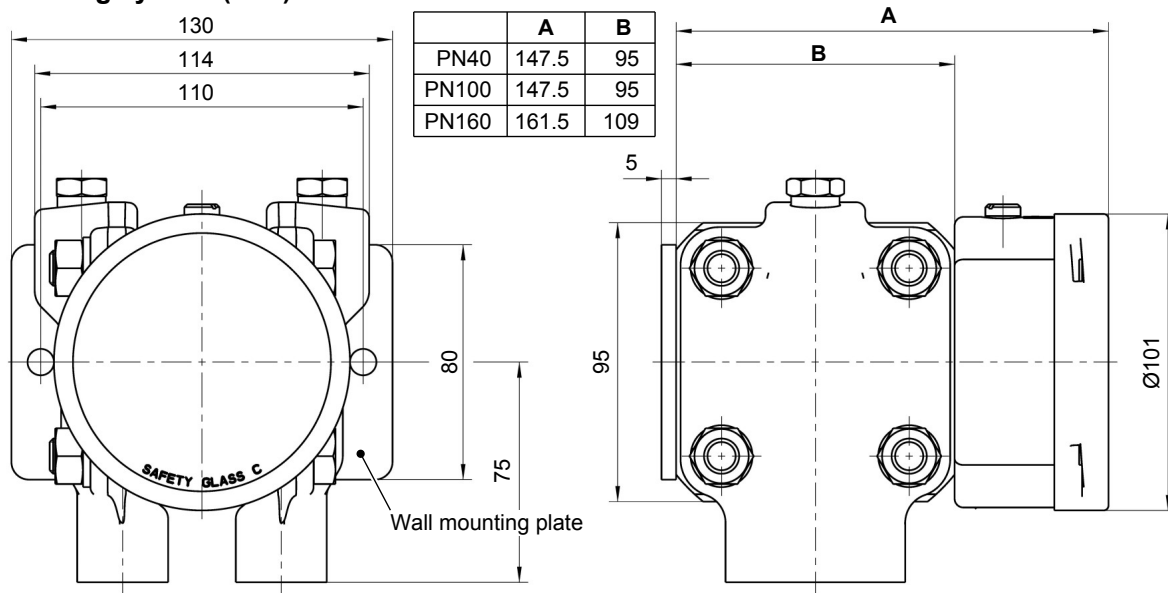
HAN 7D

No. of crimp contacts	7 + PE
Rated current	See data sheet KE
Rated voltage	50V
Cable diameter	1 mm ²
Cable screw connection	M20 x 1.5, terminal range 7 ... 13 mm

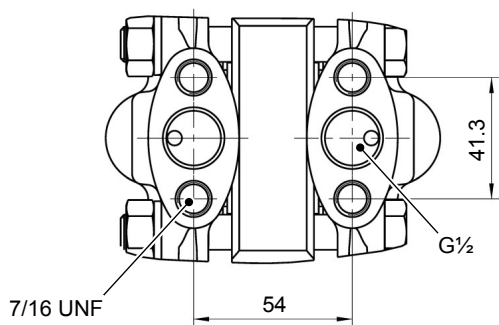
2.4.3 Dimensional drawings

All dimensions in mm unless otherwise stated

Small measuring system (Ø75)



Flange based on DIN EN 61518



Wall mounting plate

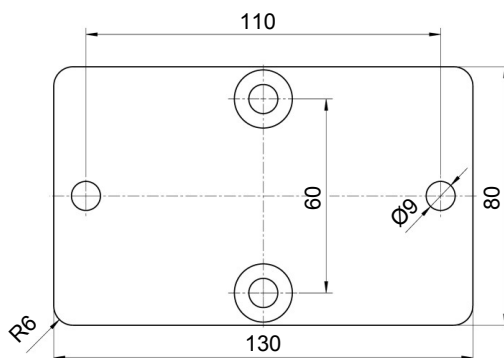


Fig. 8: Dimensional drawing (Small measuring system Ø75)

2" pipe mounting (possible for all models)

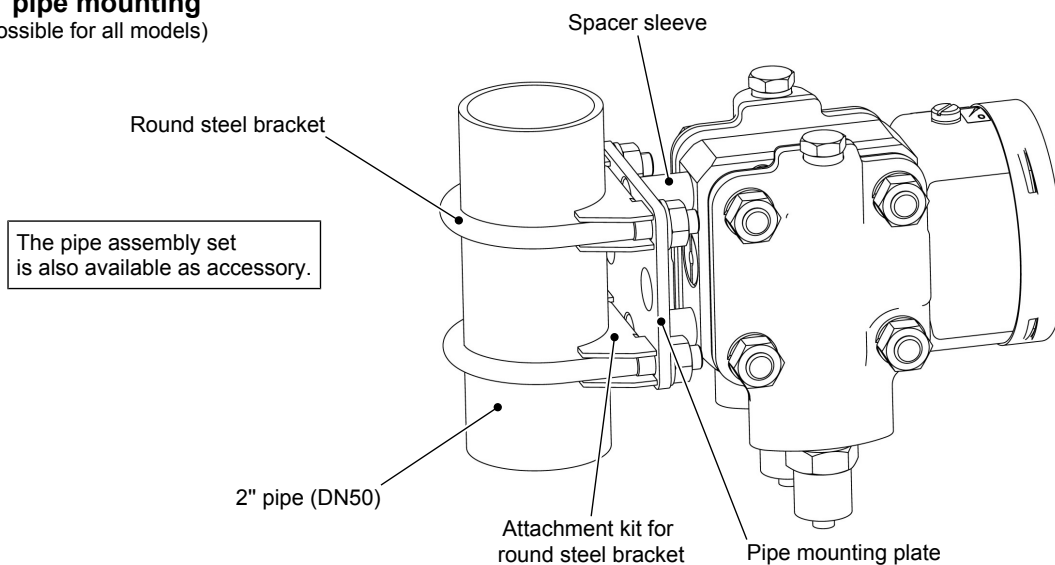
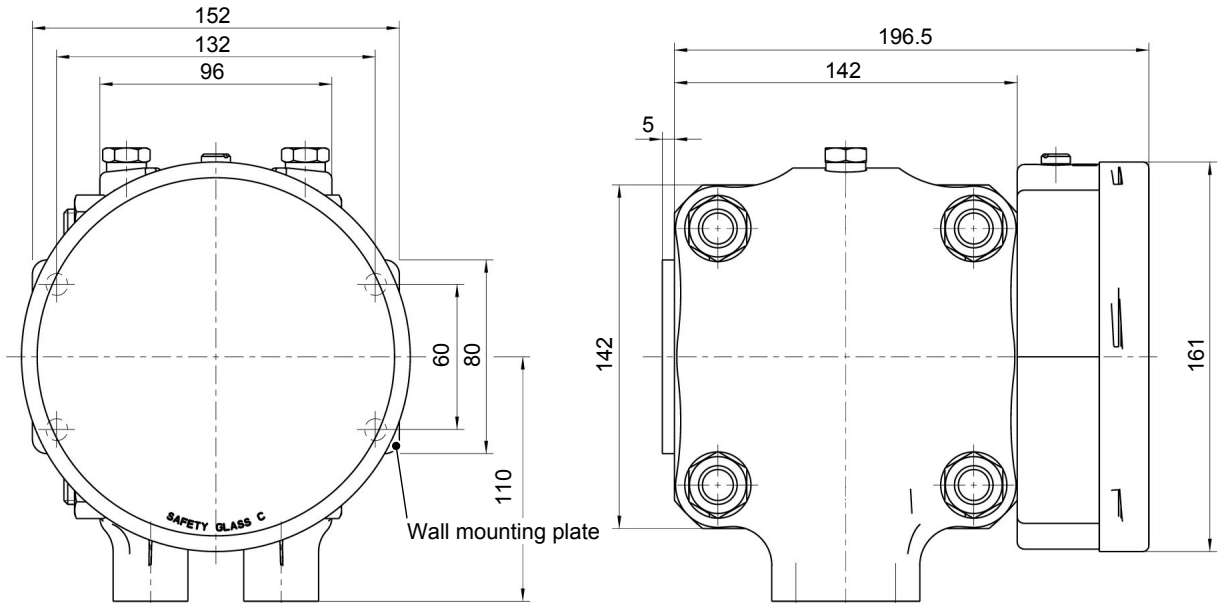
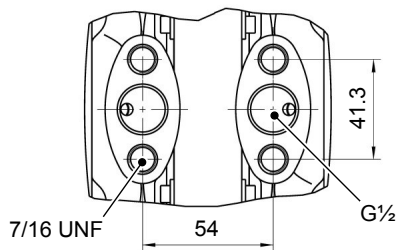


Fig. 9: Pipe mounting

Large measuring system (Ø130)



Flange based on DIN EN 61518



Wall mounting plate

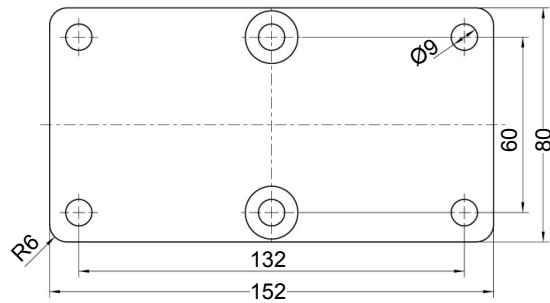
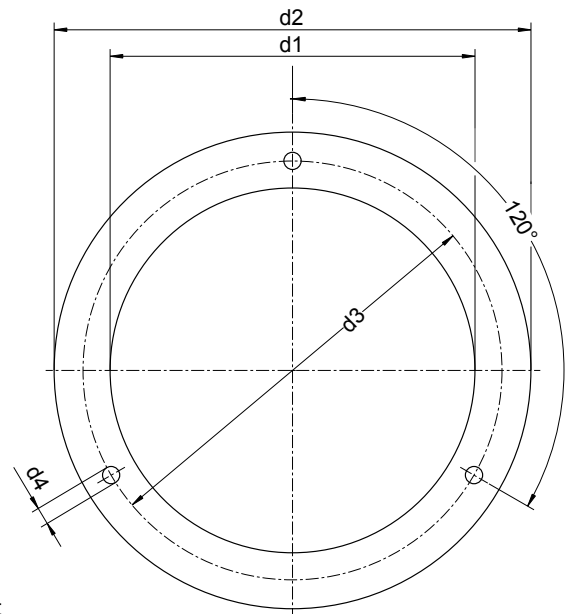
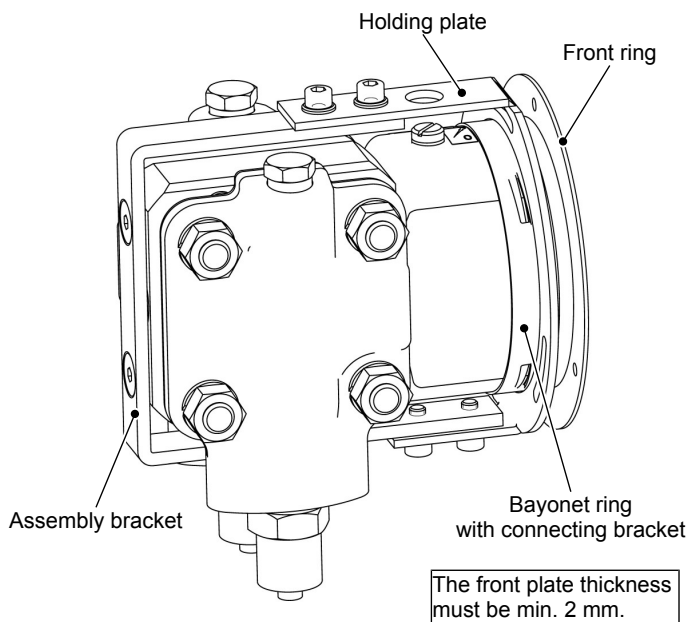


Fig. 10: Dimensional drawing (Large measuring system Ø130)

Installation of front panel type 1

(only small measuring system Ø75 and NG100 display)

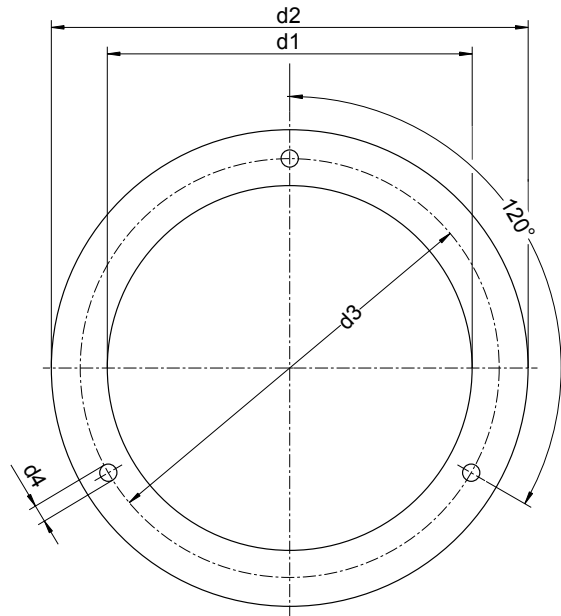
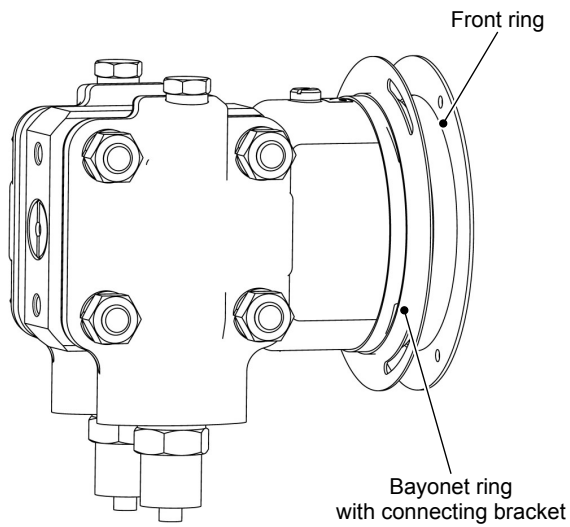


	d1	d2	d3	d4
NG100	101	132	116	4.8

Fig. 11: Installation of front panel with panel fittings

Installation of front panel type 2

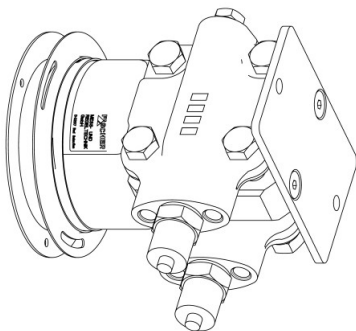
The front plate thickness must be min. 2 mm.



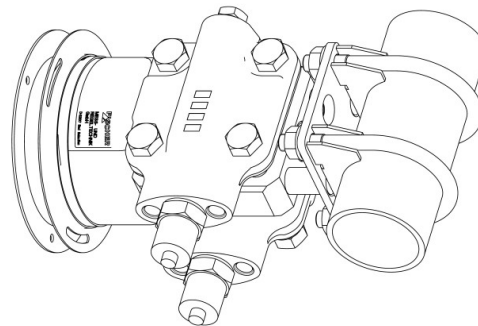
	d1	d2	d3	d4
NG100	101	132	116	4.8
NG160	161	196	178	5.8

A suitable steel construction must be used to ensure that the front plate can bear the weight of the DA03.

Examples:



Assembly on a mounting plate



Mounting to a 2" pipe

Fig. 12: Installation of front panel with front ring

Contact elements

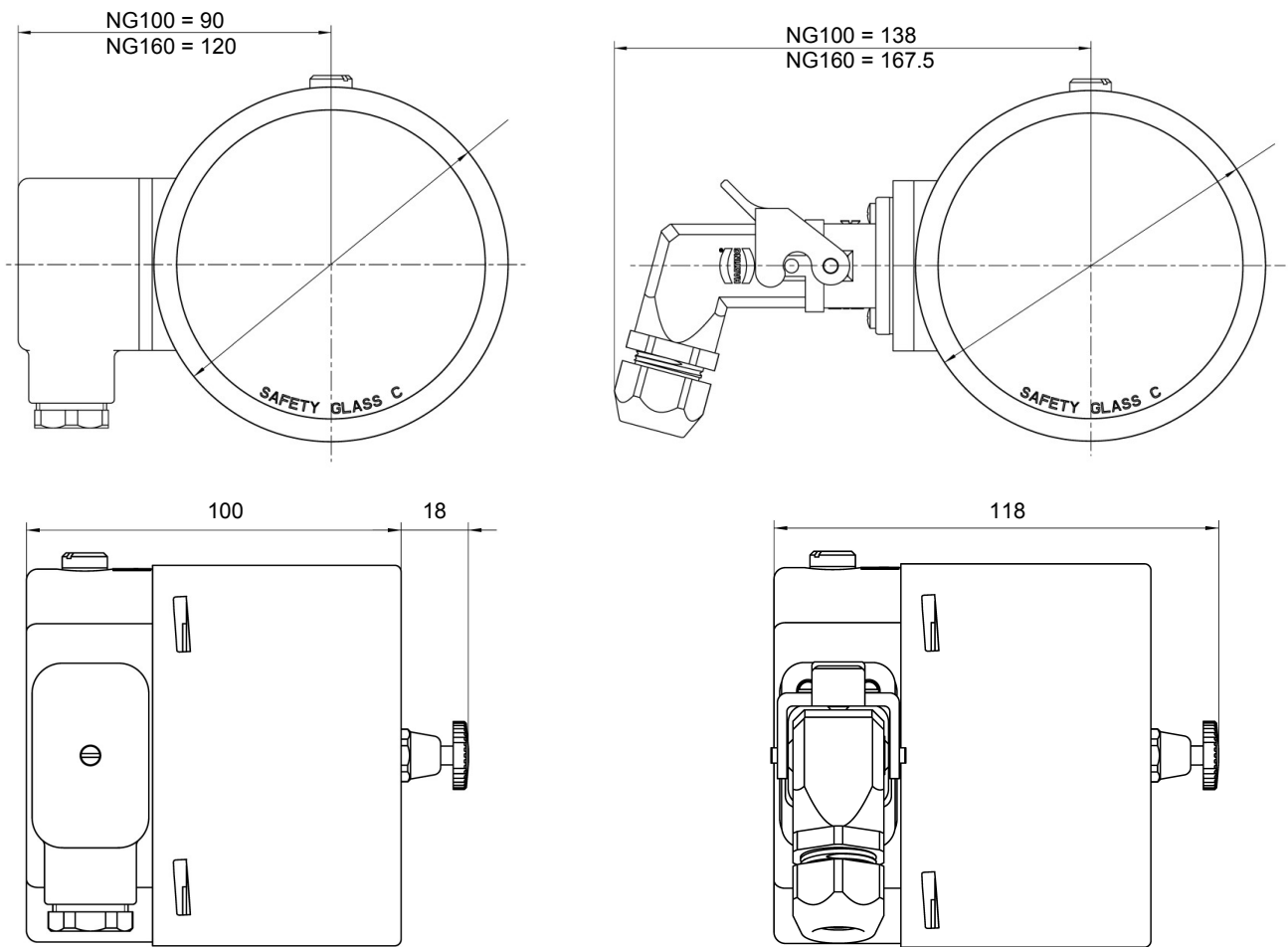


Fig. 13: Dimensional drawing contact devices

Shut-off fitting
with inner spindle thread

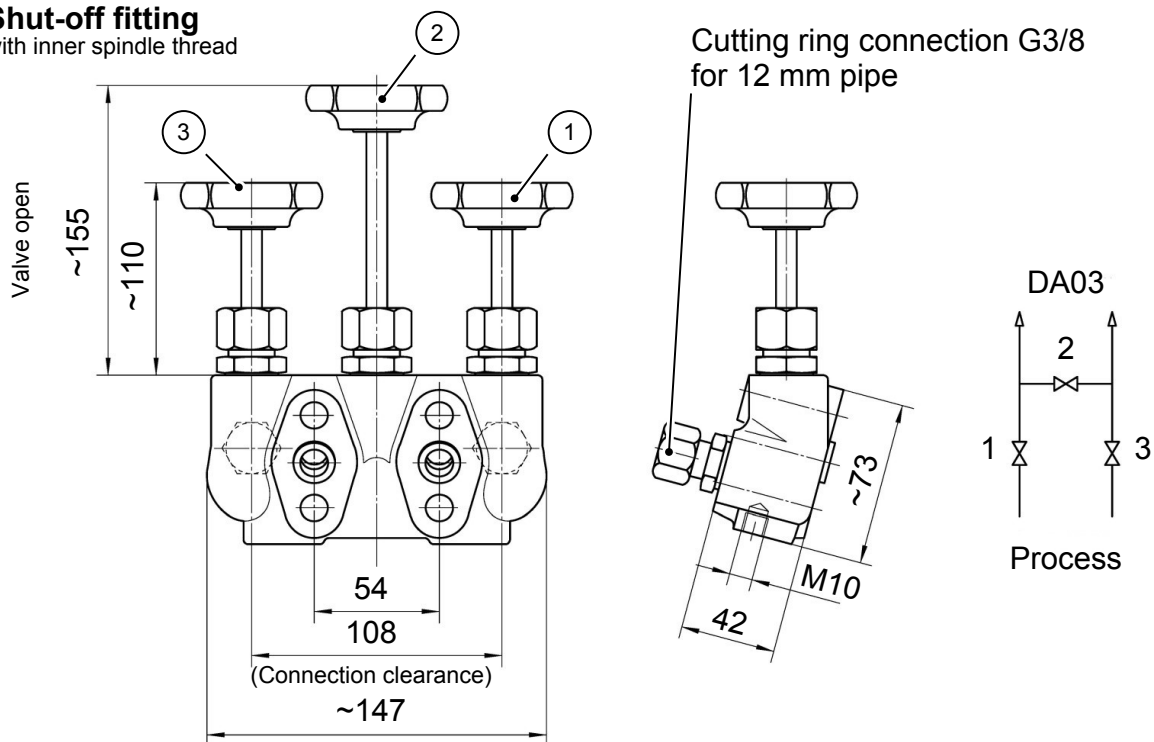
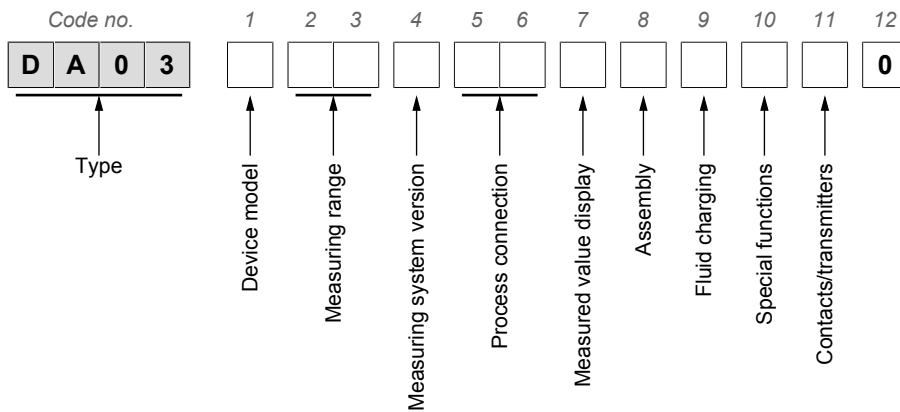


Fig. 14: Shutoff valve DZ3600SV2700

3 Order Codes



Device model:

[1]	Pressure level	Measuring cell
G	PN40	Ø75
H	PN40	Ø130
K	PN100	Ø75
L	PN100	Ø130
T	PN160	Ø75
P	PN160	Ø130

Measuring range:

Small measuring system
Ø75

	[2.3] Measurement range	Device model		
		G	K	T
82	0 ... 250 mbar			•
83	0 ... 400 mbar			•
74	-100 ... 150 mbar			•
76	-150 ... 250 mbar			•
01	0...0.6 bar	•	•	•
02	0...1 bar	•	•	•
03	0...1.6 bar	•	•	•
04	0 ... 2.5bar	•	•	•
05	0...4.0 bar	•	•	•
06	0...6 bar	•	•	•
07	0...10 bar	•	•	•
08	0...16 bar	•	•	•
09	0...25 bar	•	•	•
32	-1...0.6 bar	•	•	•
33	-1...1.5 bar	•	•	•
34	-1...3 bar	•	•	•
35	-1...5 bar	•	•	•

**Large measuring system
Ø130**

[2.3]	Measurement range	Device model		
		H	L	P
57	0 ... 40 mbar	•	•	•
58	0 ... 60 mbar	•	•	•
59	0 ... 100 mbar	•	•	•
60	0 ... 160 mbar	•	•	•
82	0 ... 250 mbar	•	•	•
83	0 ... 400 mbar	•	•	•
C1	0 ... 600 mbar	•	•	•
70	-40 ... +60 mbar	•	•	•
72	-60 ... +100 mbar	•	•	•
74	-100 ... +150 mbar	•	•	•
76	-100 ... +250 mbar	•	•	•

Design of the measuring system:

[4]	
R	Pressure chamber CrNi steel 1.4404 (AISI 316L) Measuring membrane standard
H	Pressure chamber Hastelloy C4 Measuring membrane Hastelloy C276
G	Pressure chamber CrNi steel 1.4404 (AISI 316L) Measuring membrane Hastelloy C276

Process connection:

[5.6]	
03	Flange connection based on DIN EN 61518 with internal thread G½
04	Connecting piece G½ with inside thread 1/4 -18 NPT
05	Connecting piece G½ with inside thread 1/2 -14 NPT
13	Connection shanks G½ with external thread G½
14	Connecting port G½ with outer thread 1/4-18 NPT
15	Connecting port G½ with outer thread 1/2-14 NPT
27	Cutting ring connection in brass for 12 mm pipe

Measured value display:

[7]	
L	Bayonet ring housing NG100
M	Bayonet ring housing NG160

Assembly:

[8]	
W	Wall mounting
R	Pipe mounting
T	Panel installation fittings (only a small measuring system Ø75, NG100 measured value display without contact elements)
G	Front ring for panel mounting

Fluid filling:

[9]	
0	Without fluid filling
1	Glycerine
4	Paraffin oil
5	Silicon oil

Special functions:

[10]	
0	Without special function
1	Adjustable marker needle
2	Resettable drag needle

Contacts/transmitters:

[11]	
0	No contacts/transmitters
1	Built-in contacts as per data sheet KE
2	Installed capacitive rotation angle transducer in accordance with data sheet KE09
5	Built-in contacts with plug connector (power plant model)

[12]	
0	Standard version

Limitations

A minimum operating pressure, which not all measuring ranges achieve, is required to activate a contact element or a drag indicator. Please also note the information about the equipment features [► 4].

3.1 accessories

Order no.	Planned measures	Material
DZ3600SV2700	Triple valve block DN5 PN420 <ul style="list-style-type: none"> • Flange connection acc. to DIN EN 61518 • Cutting ring screw connections 12 mm pipe • Including assembly set 	1.4571

3.2 Information about the document

This document contains all technical data about the device. Great care was taken when compiling the texts and illustrations; Nevertheless, errors cannot be ruled out.

Subject to technical amendments.



FISCHER Mess- und Regeltechnik GmbH

Bielefelder Str. 37a
D-32107 Bad Salzuflen

Tel. +49 5222-974-0

Fax. +49 5222-7170

web : www.fischermesstechnik.de

eMail : info@fischermesstechnik.de

